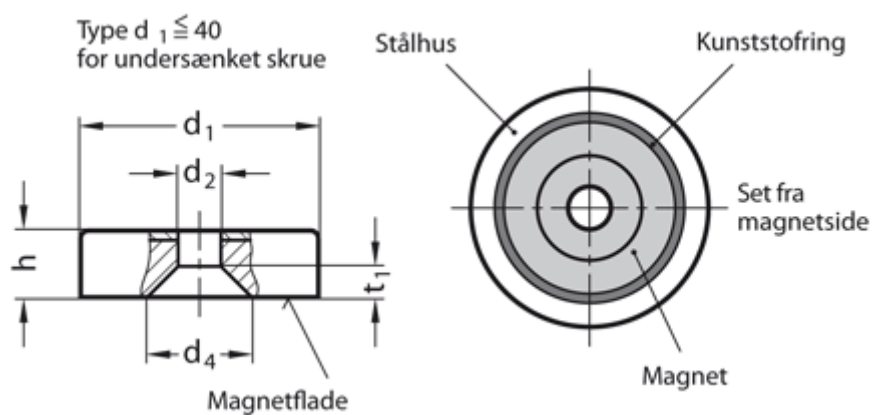


Article number: 201227025

Description: E+G Magnet - with bore GN 50.45-HF-20-6-4,3  
HF hard ferrite - 200°.C, 29N

## Measures



$d_1$  =  $25 \pm 0,1$

$d_2$  = 5.5

$d_4$  = 11.5

$h$  =  $7 + 0,3/-0,2$

Holding force N = 29

Material = HF hard ferrite - 220°.C

$t_1$  = 3.0